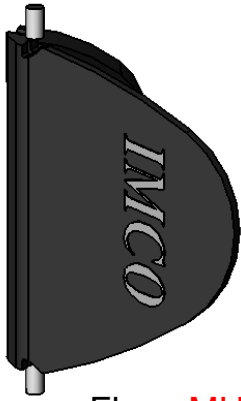


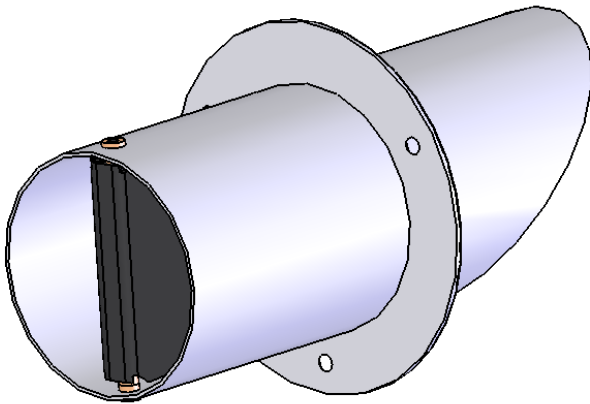
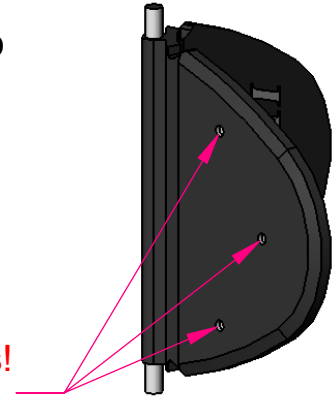
IMCO

02-2267 3 1/2" Replacement Flap
02-2268 4" Replacement Flap



Flaps **MUST BE**
installed like this!
Must see IMCO on
outside of flap.

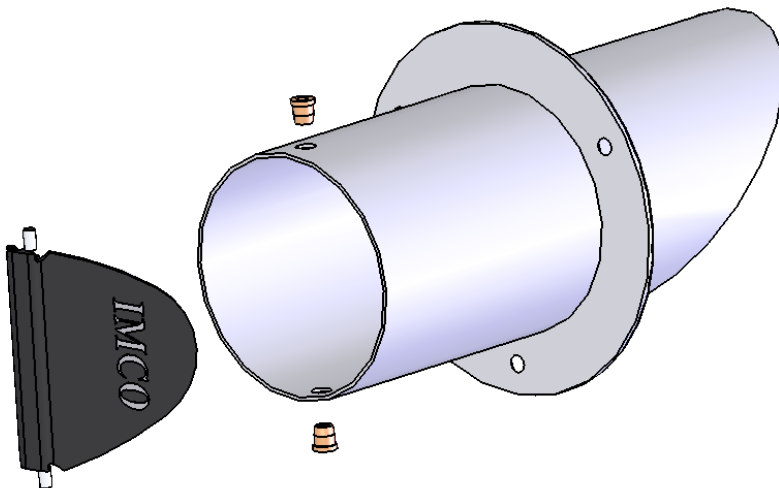
NOT like This!
No dots



1. To remove flap; strip away
excess rubber from pin.

2. Support the bottom bushing
with a metal object with a hole
for the pin to protrude.

3. Use a pin punch to drive
the flap pin down through the
top bushing. (Pin should fall
out).



1. To install flapper; place
flap pins in holes with IMCO
logo on the outside.

2. Place bushings over each
pin and started in the holes.

3. Support the bottom bushing
with a metal base and hammer
bushing until they are flush with
outside of exhaust tip.

4. Use caution not to bend pin
or distort the tip.

510 East Arrow Hwy
San Dimas, CA 91773
(800) 899-8058
(909) 592-6162
www.imcomarine.com
info@imcomarine.com