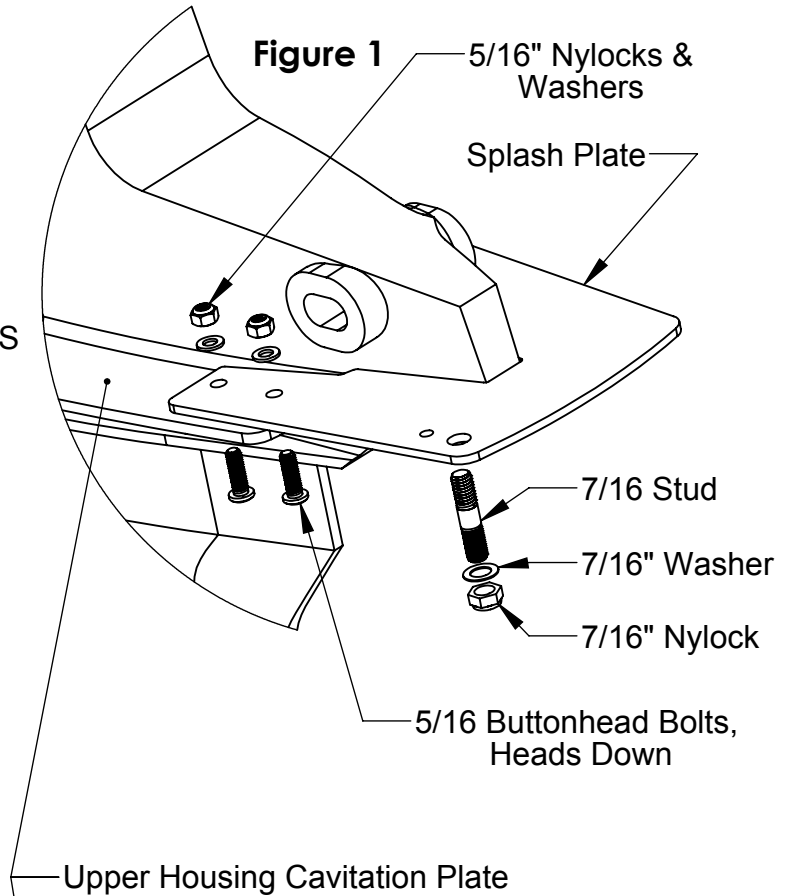
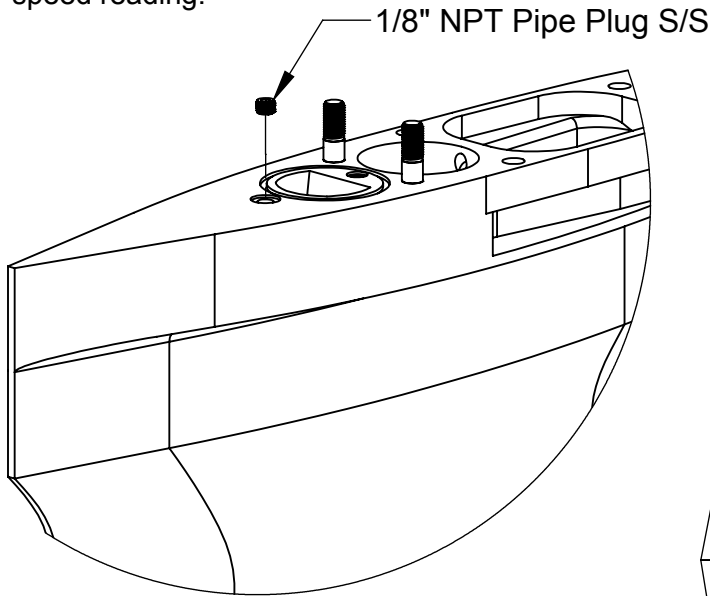


The polished plate included with your standard, 1", and 2" shorter Xtreme Advantage lower case is installed on the **TOP** side of the upper housing cavitation plate. Install using the 5/16" button head bolts (4 ea.) with the head pointed down. The washer and nylock nuts go on the top of the polished plate. The standard and 1" shorter cased (Figure 1) get the 7/16" stud, nut, and washer, as shown. The 2" shorter case receives a block off plate for the underneath side of the upper case (Figure2). Use the 7/16-14 x 1" flat head cap screw to install into the existing mounting hole (use Loctite).

1/8" NPT Pipe Plug is used to block off the cooling water hole when used with a stock Mercury upper. This port will not give an accurate speed reading.



Standard & 1" Lower Splash Plate Kit 01-8615		
Qty	Part #	Description
1	01-2296	Splash Plate S/S
4	08-040705081	5/16 x 1" Button Head Screws S/S
4	08-100700001	5/16" AN Flat Washers S/S
4	08-080708001	5/16" Nylock Nuts S/S
1	08-130904121	7/16" x 2" Stud S/S
1	08-160900001	7/16" AN Flat Washer S/S
1	08-090904001	7/16" Nylock Nut S/S
1	09-2007	1/8" NPT Pipe Plug S/S
1	11-4011	"O" Ring (Oil Passage)
1	11-2143	"O" Ring (Water Passage)
1	11-2014	"O" Ring (Cooling Water Passage)
1	11-2228	"O" Ring (Alignment Spacer)

2" Lower Splash Plate Kit 01-8625		
Qty	Part #	Description
1	01-2296	Splash Plate S/S
4	08-040705081	5/16 x 1" Button Head Screws S/S
4	08-100700001	5/16" AN Flat Washers S/S
4	08-080708001	5/16" Nylock Nuts S/S
1	08-020907081	7/16-14 x 1" Flat Head S/S
1	01-7003	Aluminum Block Off Plate
1	09-2007	1/8" NPT Pipe Plug S/S
1	11-4011	"O" Ring (Oil Passage)
1	11-2143	"O" Ring (Water Passage)
1	11-2014	"O" Ring (Cooling Water Passage)
1	11-2228	"O" Ring (Alignment Spacer)

