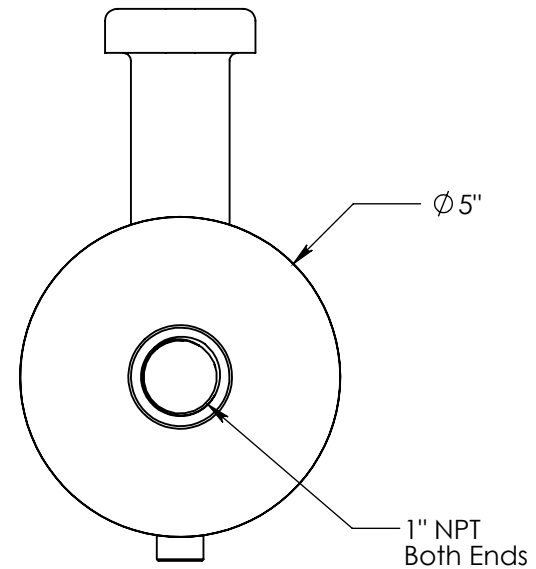
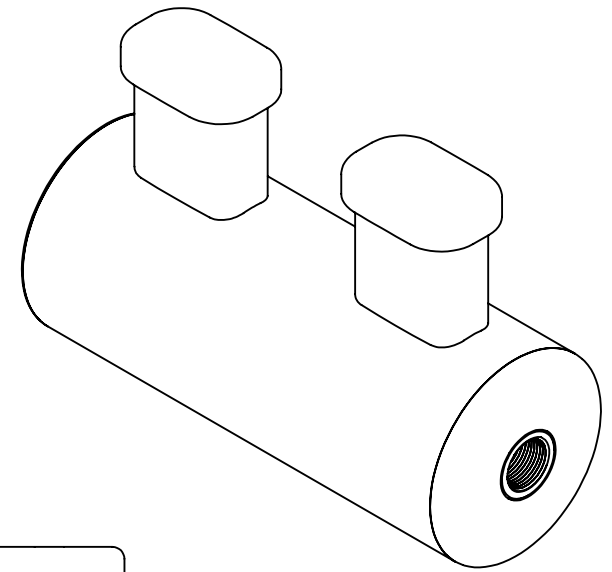
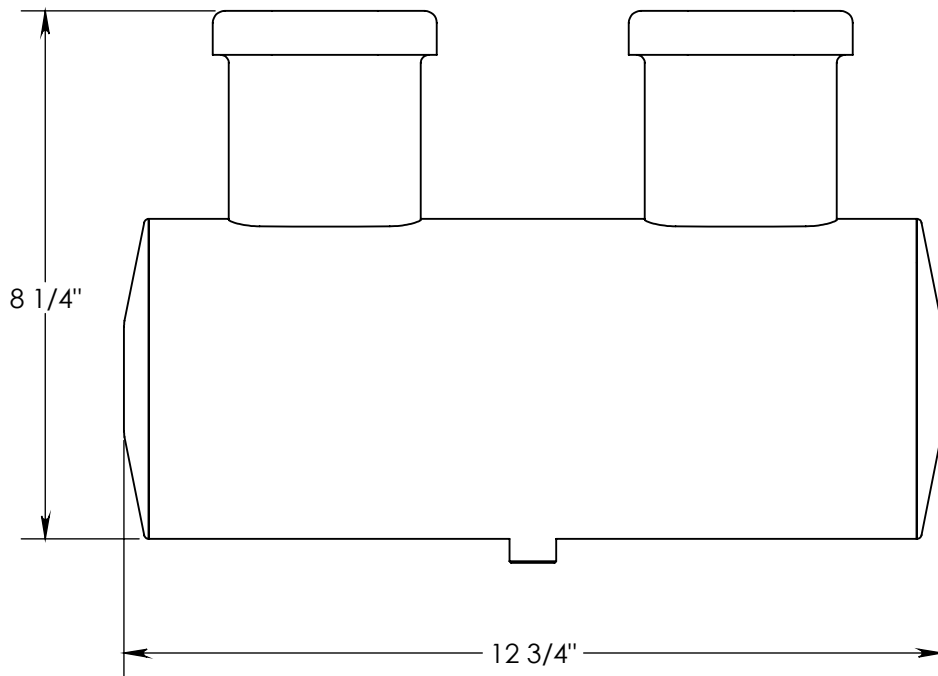


THE INFORMATION CONTAINED IN THIS DRAWING IS THE SOLE PROPERTY OF IMCO. ANY RE-PRODUCTION, IN PART OR WHOLE, WITHOUT THE WRITTEN PERMISSION OF IMCO IS PROHIBITED.



UNLESS OTHERWISE SPECIFIED
DIMENSIONS ARE IN INCHES.
TOLERANCES ARE:

DECIMALS

.XXX ±.005

ANGLES

.XX ±1°

MATERIAL

Aluminum

DATE

3/4/14

FINISH

Polished

DRAWN

RT

IMCO

5" PUKE TANK

DWG. NO.

04-7280

REV.

A

CAD FILE:

5in Puke Tank

SHEET 1 OF 1