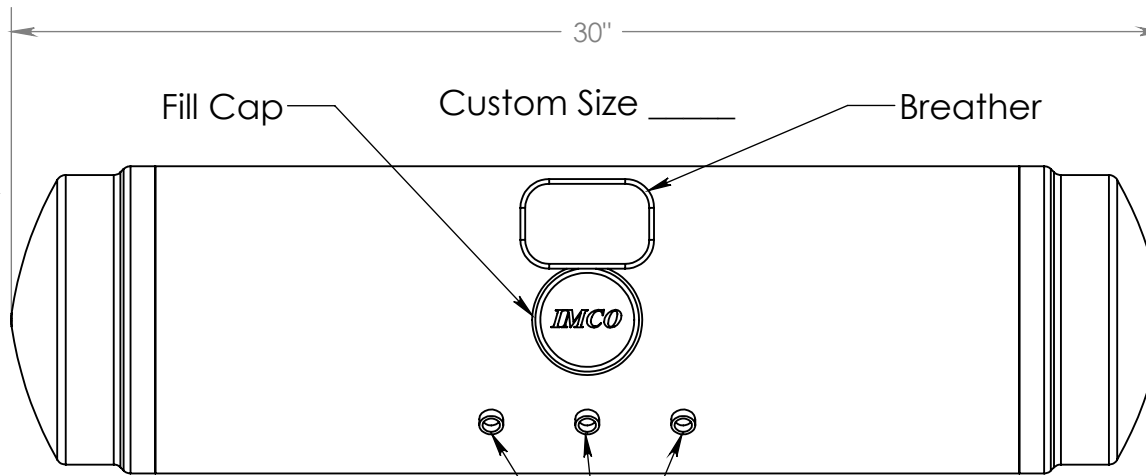


06-8022
6 Gallon
8" Dia. x 30" Long
Aluminum Race Tank



IMCO

Phone: (800) 899-8058
Fax: (909) 592-6052
info@imcomarine.com

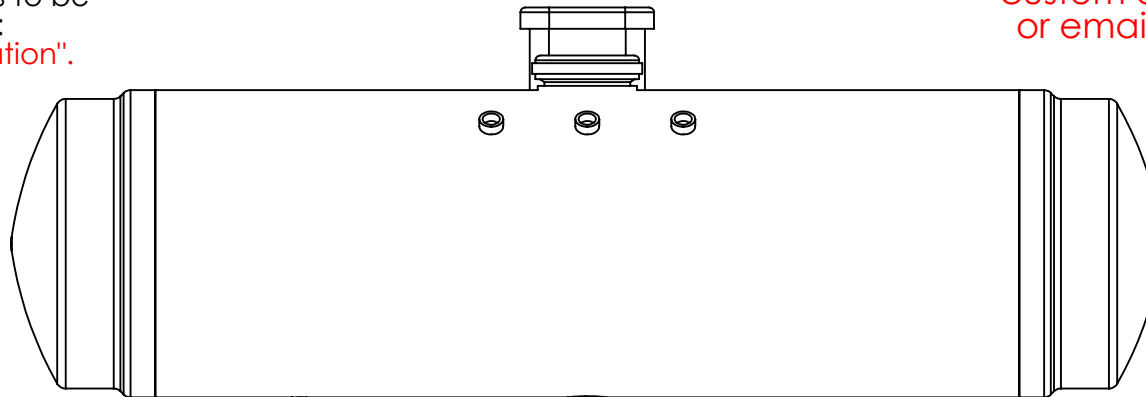
Standard Configuration

Fill cap ☐ in front of breather, returns in front of fill cap; pickup at center bottom. (Shown with 3 returns) (Drain optional). Fittings are female npt, available in 1/4", 3/8", 1/2", 3/4" and 1". Size, number of returns as well as size of pickup are optional. They can be selected and ordered directly from the website. If configuration needs to be changed see:

"Custom Configuration".

Custom Configuration

IMCO fuel tanks can be custom made to order. If you require a location of fill cap, breather or returns, different then shown, please specify & note each location along with the size of fittings and requested quantity. Fax or email your custom order to the fax number or email address listed above.



Optional Drain
(Not Standard)
Size _____

Pickup
Size _____
Qty _____

Customer _____
Address _____
City _____
State _____
Zip Code _____
Phone # _____