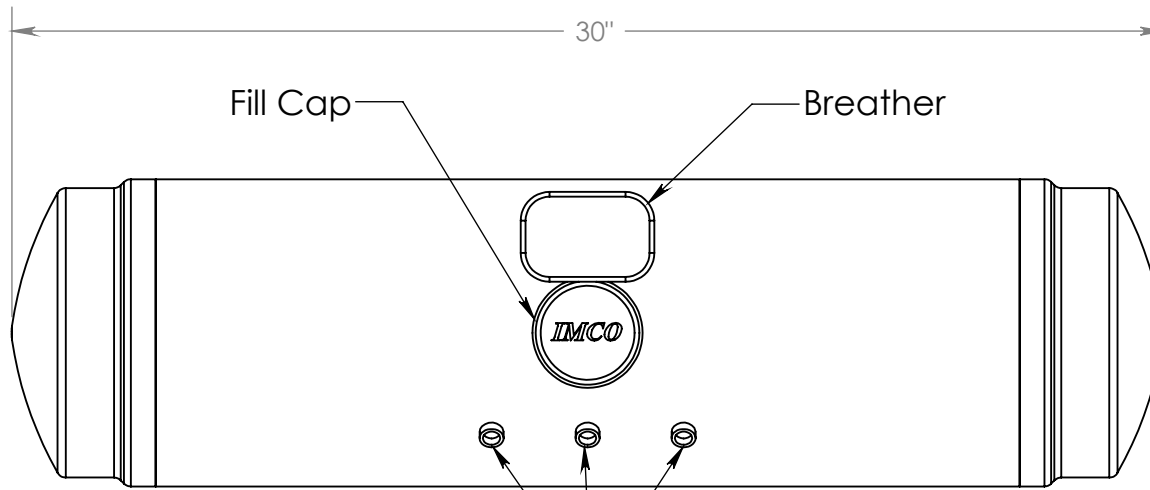


06-8012
6 Gallon
8" Dia. x 30" Long
Aluminum "T" Tank

IMCO

Phone: (800) 899-8058
Fax: (909) 592-6052
info@imcomarine.com



Top View

Custom Configuration

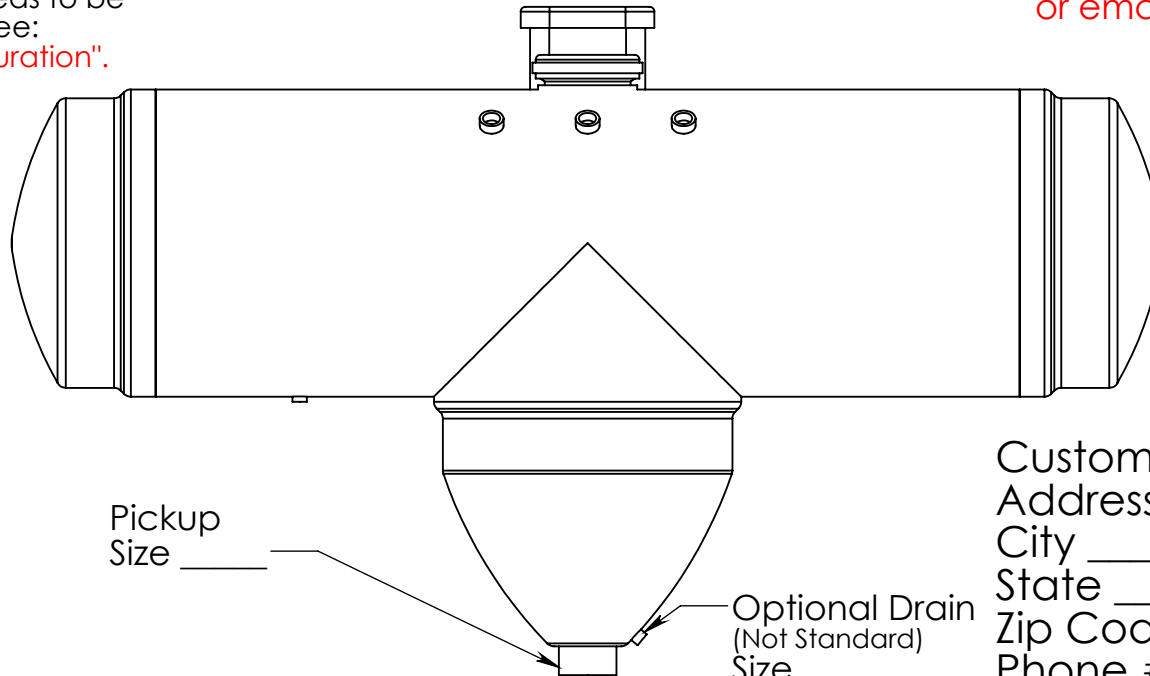
IMCO fuel tanks can be custom made to order. If you require a location of fill cap, breather or returns, different then shown, please specify & note each location along with the size of fittings and requested quantity. Fax or email your custom order to the fax number or email address listed above.

Standard Configuration

Fill cap \varnothing in front of breather, returns in front of fill cap; pickup at center bottom. (Shown with 3 returns) (Drain optional). Fittings are female npt, available in 1/4", 3/8", 1/2", 3/4" and 1". Size, number of returns as well as size of pickup are optional. They can be selected and ordered directly from the website. If configuration needs to be changed see:

"Custom Configuration".

Returns
Size _____
Qty _____



Front View

Customer _____
Address _____
City _____
State _____
Zip Code _____
Phone # _____