

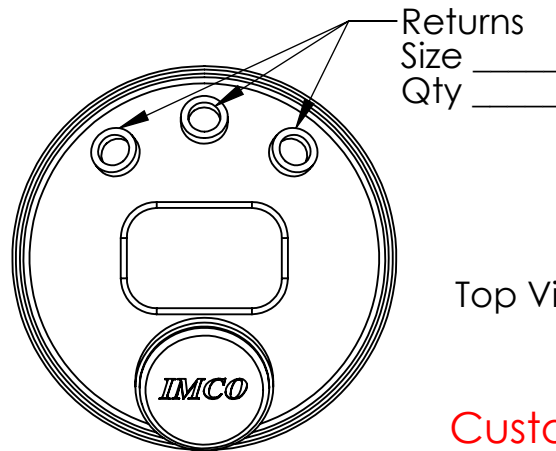
06-8002  
 3 1/2 Gallon  
 8" Dia. x 18" Tall  
 Aluminum Bullet Tank



Phone: (800) 899-8058  
 Fax: (909) 592-6052  
 info@imcomarine.com

Standard Configuration

Fill cap in front of breather, returns behind breather; pickup at center bottom. (Shown with 3 returns) (Drain optional). Fittings are female npt, available in 1/4", 3/8", 1/2", 3/4" and 1". Size, number of returns as well as size of pickup are optional. They can be selected and ordered directly from the website. If configuration needs to be changed see: "Custom Configuration".

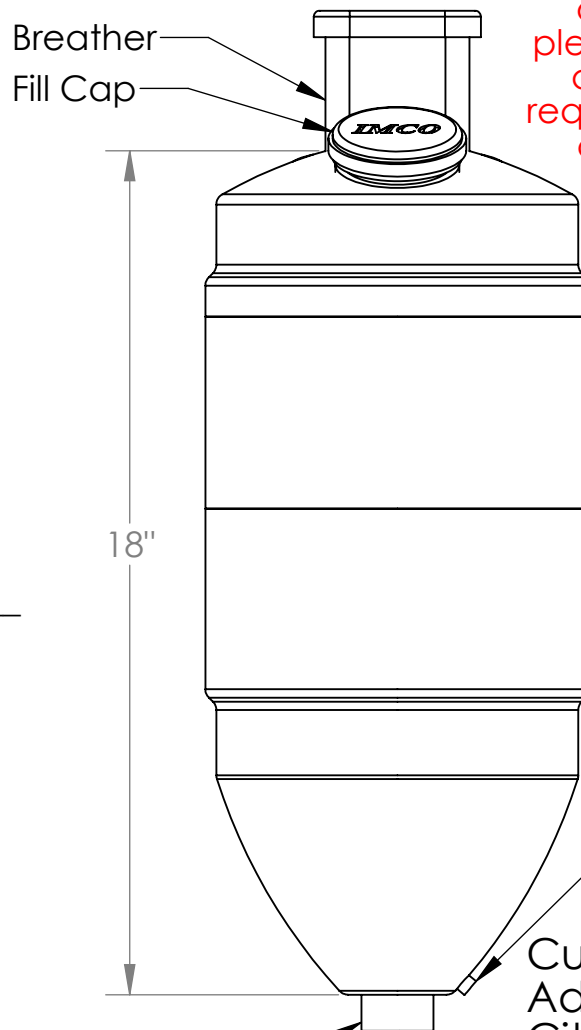


Returns  
 Size \_\_\_\_\_  
 Qty \_\_\_\_\_

Top View

Custom Configuration

IMCO fuel tanks can be custom made to order. If you require a location of fill cap, breather or returns, different then shown, please specify & note each location along with the size of fittings and requested quantity. Fax or email your custom order to the fax number or email address listed above.



Breather  
 Fill Cap

18"

Front View

Custom Size \_\_\_\_\_

Optional Drain  
 (Not Standard)  
 Size \_\_\_\_\_

Pickup  
 Size \_\_\_\_\_

Customer Address \_\_\_\_\_  
 City \_\_\_\_\_  
 State \_\_\_\_\_  
 Zip Code \_\_\_\_\_  
 Phone # \_\_\_\_\_