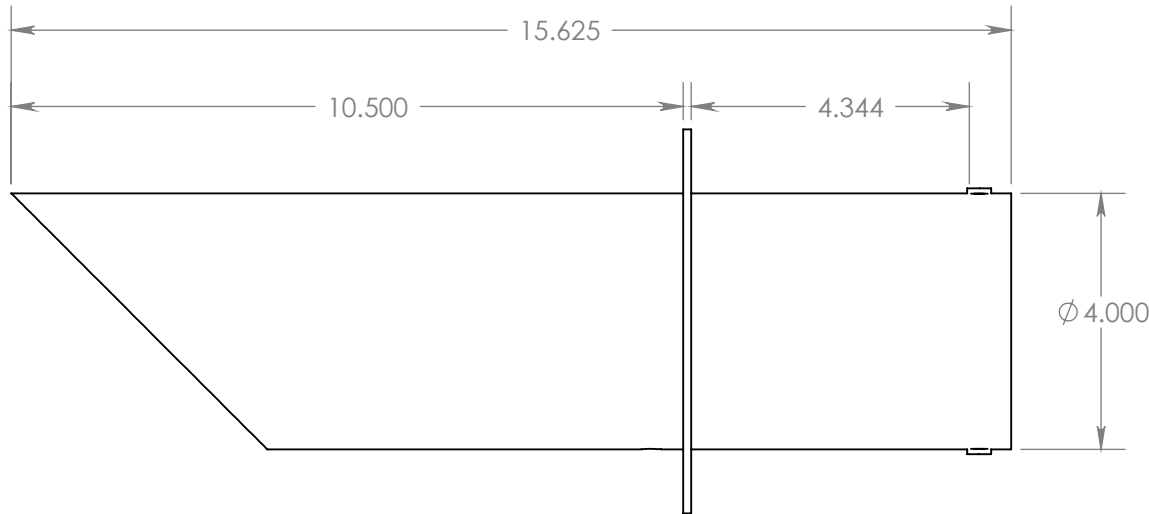
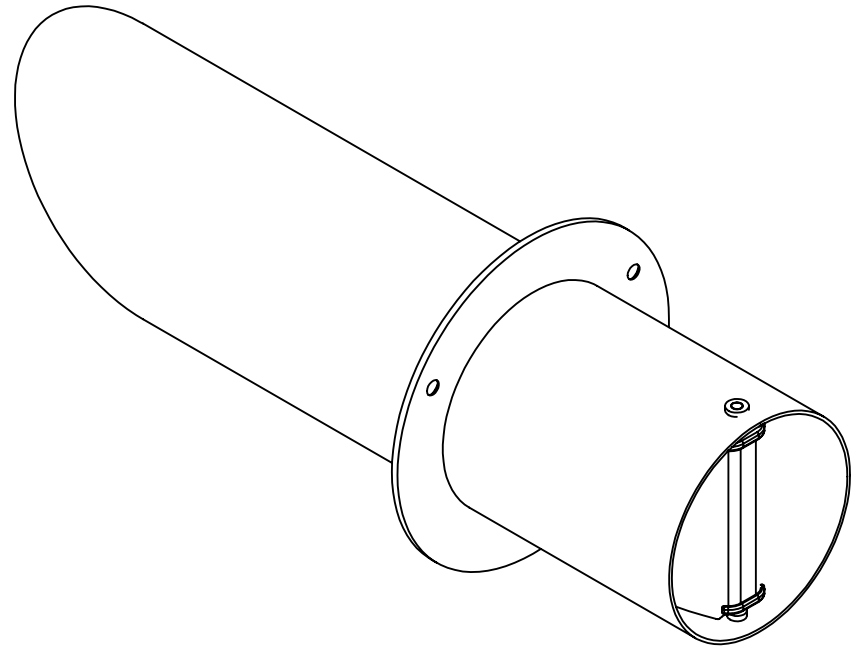
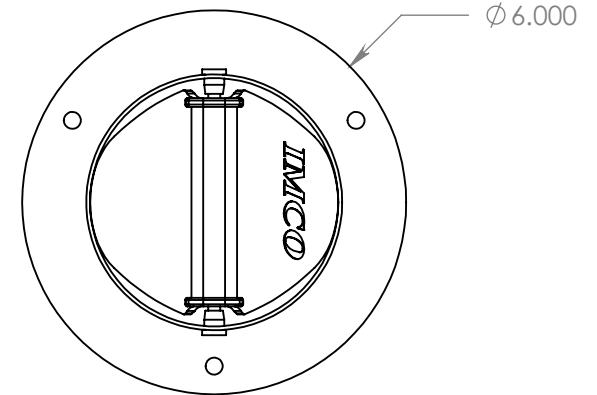


Top View



Side View



Rear View

UNLESS OTHERWISE SPECIFIED
DIMENSIONS ARE IN INCHES.
TOLERANCES ARE:

DECIMALS

.XXX ±.005

ANGLES

.XX ±1°

MATERIAL

S/S

DATE

08/22/11

FINISH

Polished

DRAWN

RT

IMCO

4" ANGLE CUT TIPS EX LONG/FLAP

DWG. NO.

02-8145

REV.

A

CAD FILE:

02-8145

SHEET 1 OF 1