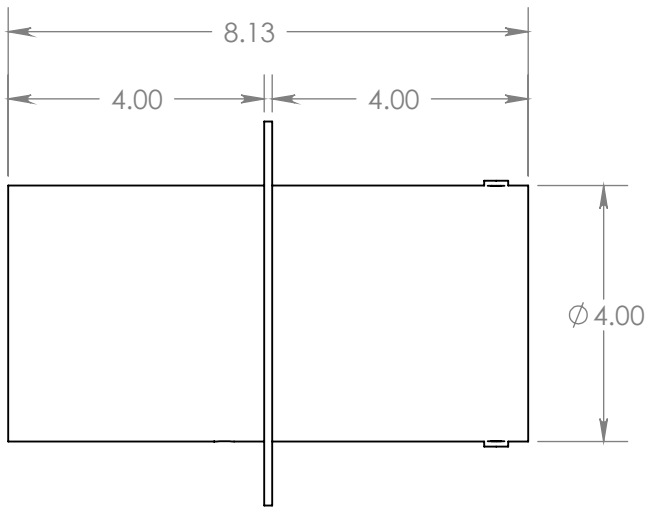
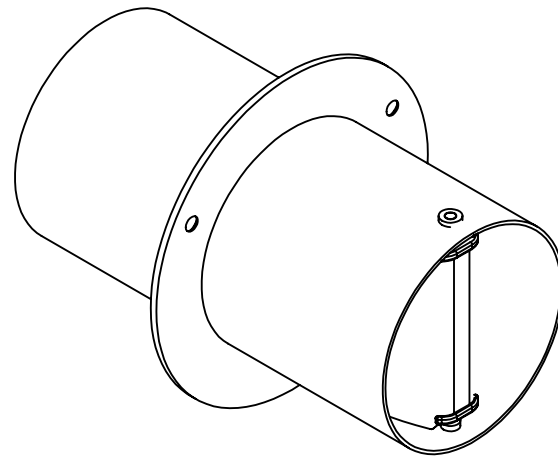
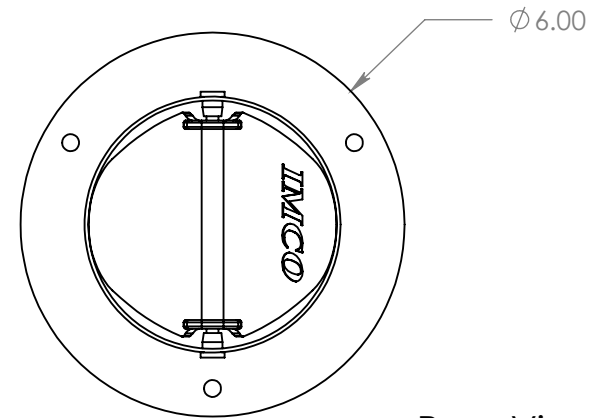


Top View



Side View



Rear View

UNLESS OTHERWISE SPECIFIED  
DIMENSIONS ARE IN INCHES.  
TOLERANCES ARE:

DECIMALS

.XXX ±.005

ANGLES

.XX ±1°

MATERIAL

S/S

DATE

8/22/11

FINISH

Polished

DRAWN

RT

**IMCO**

4" STRAIGHT CUT

DWG. NO.

02-8125

REV.

**A**

CAD FILE:

02-8125

SHEET 1 OF 1