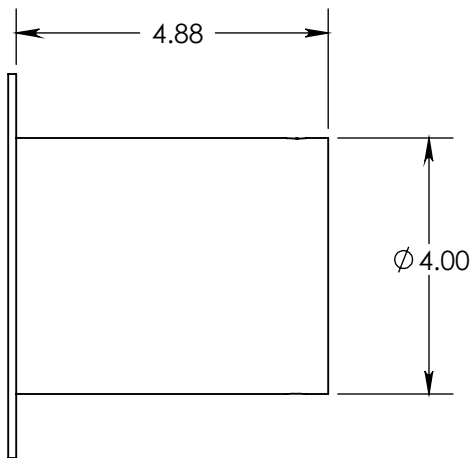
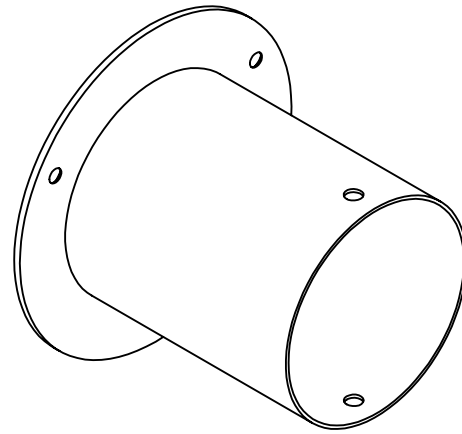
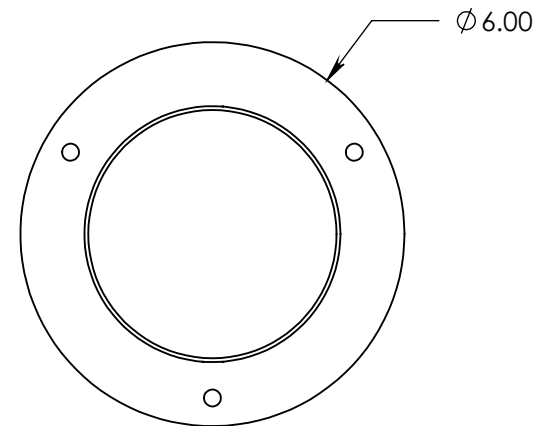


Top View



Side View



Rear View

UNLESS OTHERWISE SPECIFIED
DIMENSIONS ARE IN INCHES.
TOLERANCES ARE:

DECIMALS

.XXX ±.005

ANGLES

.XX ±1°

MATERIAL

S/S

DATE

8/22/11

FINISH

Polished

DRAWN

RT

IMCO

4" FLUSH MOUNT

DWG. NO.

02-6373

REV.

A

CAD FILE:

02-6373

SHEET 1 OF 1