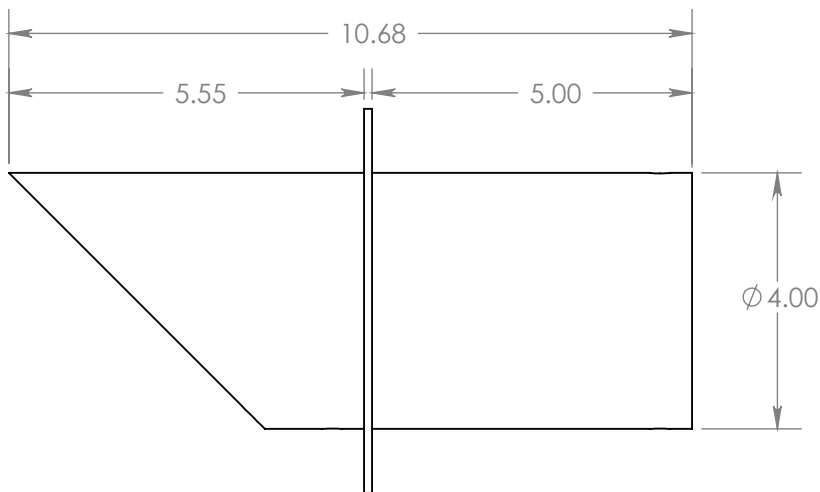
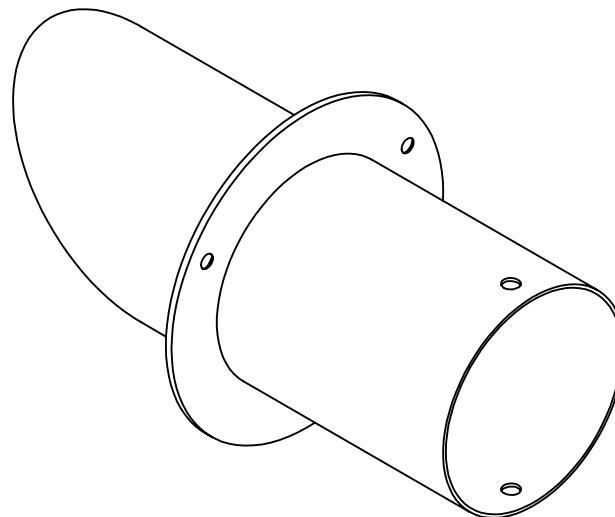
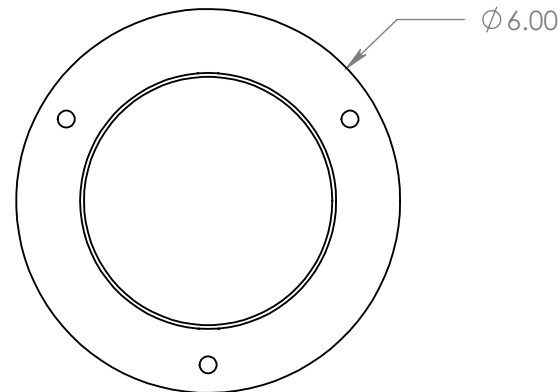


Top View



Side View



Rear View

UNLESS OTHERWISE SPECIFIED  
DIMENSIONS ARE IN INCHES.  
TOLERANCES ARE:

DECIMALS

.XXX ±.005

ANGLES

.XX ±1°

MATERIAL

S/S

DATE

08/22/11

FINISH

Polished

DRAWN

RT

**IMCO**

4" ANGLE CUT TIPS

DWG. NO.

02-6366

REV.

**A**

CAD FILE:

02-6366

SHEET 1 OF 1