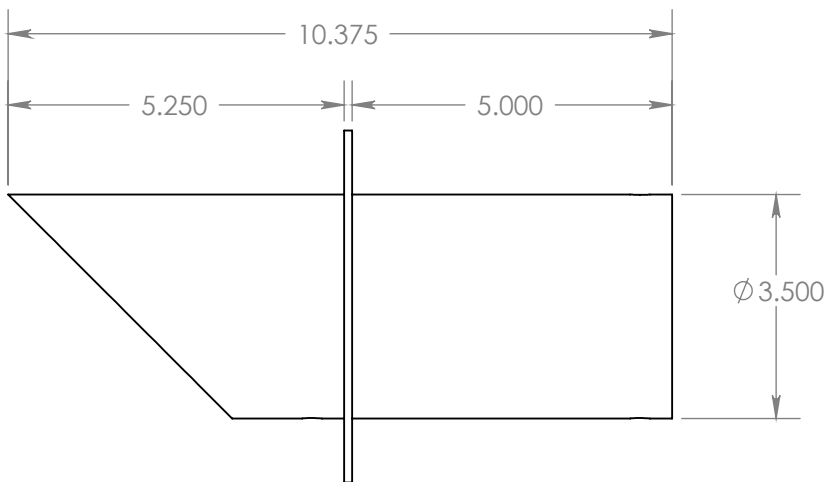
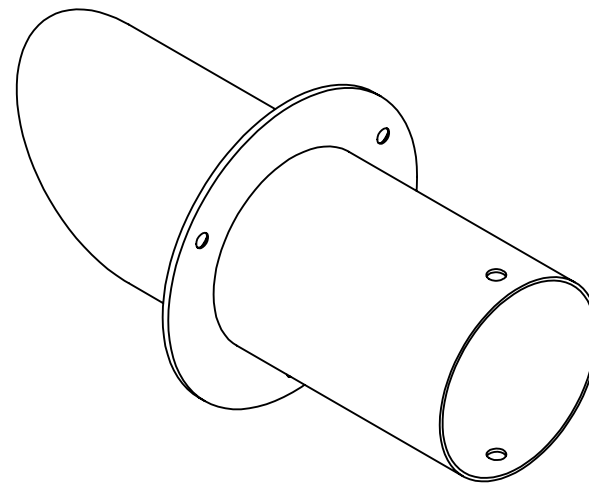
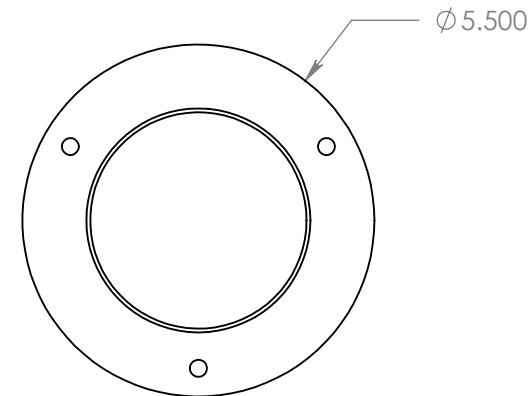


Top View



Side View



Rear View

UNLESS OTHERWISE SPECIFIED  
DIMENSIONS ARE IN INCHES.  
TOLERANCES ARE:

DECIMALS

.XXX ±.005

ANGLES

.XX ±1°

MATERIAL

S/S

DATE

8/22/11

FINISH

Polished

DRAWN

RT

**IMCO**

3 1/2" ANGLE CUT TIPS

DWG. NO.

04-6364

REV.

**A**

CAD FILE:

04-6364

SHEET 1 OF 1