

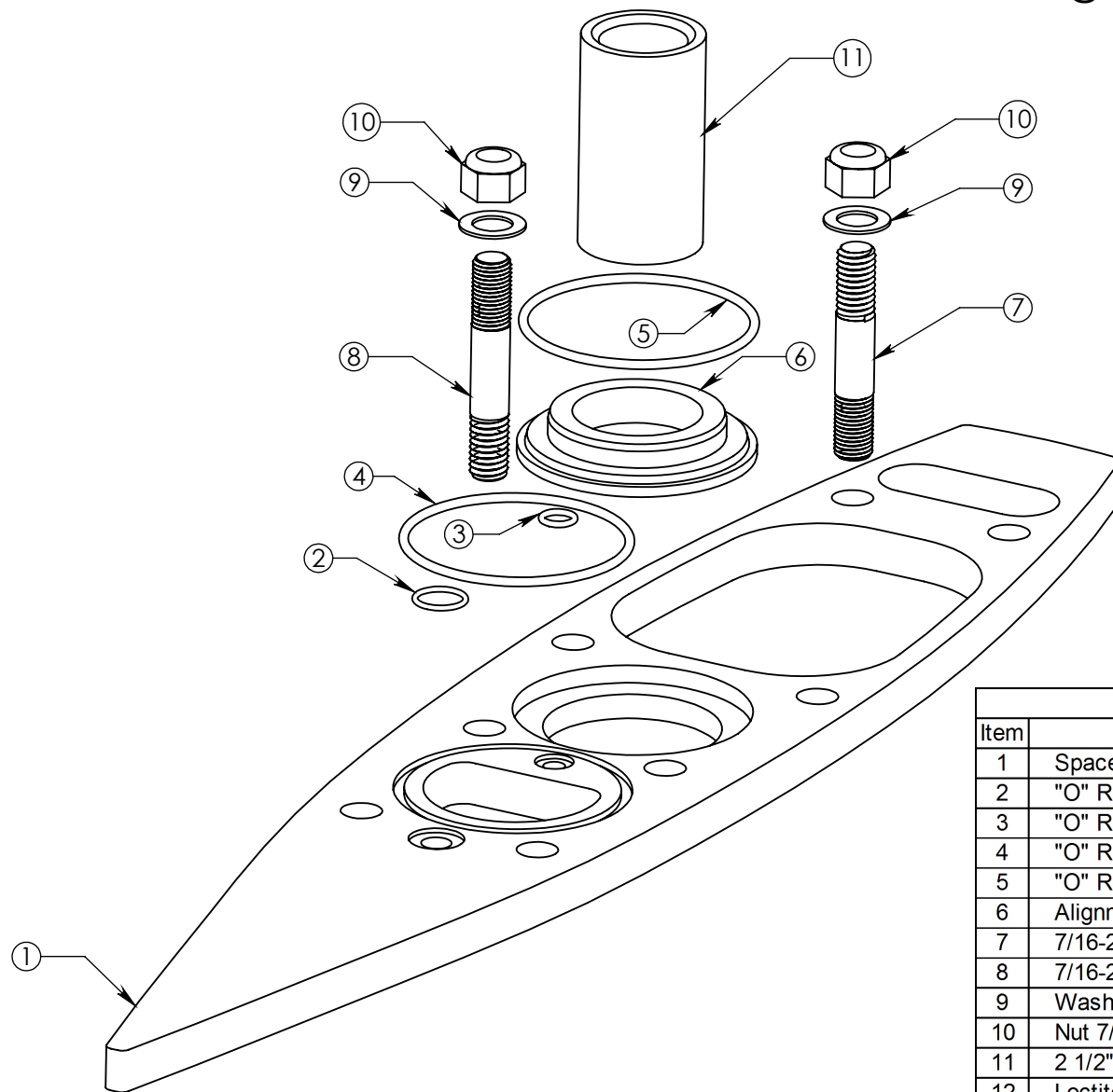
1/2" SCX4 SPACER 01-8048 ASSEMBLY INSTRUCTIONS

1. Remove old (short) studs, 6 ea. on the upper housing, 2 ea. on the lower case.
2. Install new studs (longer), use provided loctite.
3. Place spacer on lower case, check that all "O" rings are in place and not damaged.
4. Install alignment spacer and provided "O" rings on top side of spacer.
5. Install coupler.
6. Assemble lower unit to upper housing.
7. Tighten nuts.

IMCO

Quality Marine Products

510 East Arrow Hwy
San Dimas, CA 91773
(800) 899-8058 (909) 592-6162 Fax (909) 592-6052
info@imcomarine.com www.imcomarine.com



Kit Part # 01-8048			
Item	Description	Qty	Part Number
1	Spacer Body	1	01-2458
2	"O" Ring (Cooling Water Passage)	1	11-2014
3	"O" Ring (Oil Passage)	1	11-4011
4	"O" Ring (Water Passage)	1	11-2143
5	"O" Ring (Alignment Spacer)	1	11-2144
6	Alignment Spacer	1	01-2401
7	7/16-20/14 x 2 1/2" S/S Stud	6	08-130904141
8	7/16-20/14 x 2 5/8" S/S Stud	2	08-130904761
9	Washer 7/16 " AN S/S	8	08-100900001
10	Nut 7/16-20 Nylock S/S	8	08-080904001
11	2 1/2" Coupler	1	01-2141
12	Loctite	1	09-2038