

XXTREME ADVANTAGE

Gimbal

Parts and Service Manual



IMCO

510 East Arrow Highway
San Dimas, CA 91773

(800) 899-8058 (909) 592-6162 Fax (909) 592-6052

www.imcomarine.com email info@imcomarine.com

TABLE OF CONTENTS

| | |
|---|----|
| Cutting Transom, Gimbal Installation, Trim Pump Hose Hookup | 1 |
| Drive Oil Reservoir Tank, Water Supply Fitting | 2 |
| Rear Engine Mount, Shift Cable Adjustment, Steering Hose Hookup | 3 |
| Gimbal Housing (Drawing) | 4 |
| Gimbal Housing (Parts List) | 5 |
| Gimbal Ring (Drawing) | 6 |
| Gimbal Ring (Parts List) | 7 |
| Gimbal Helmet (Drawing) | 8 |
| Gimbal Helmet (Parts List) | 9 |
| Gimbal Steering & Trim (Drawing) | 10 |
| Gimbal Steering & Trim (Parts List) | 11 |

Serial Number _____

Date of Purchase _____

Purchased From _____

Cutting Transom

1. Using the provided template or using the Bravo Drilling fixture that can be purchased through a Mercury MerCruiser Dealer can determine the transom cutout size. (Angle holes for tiller arm are not necessary with Xtreme Advantage Gimbals).
2. Propeller height or crankshaft centerline is best determined by the hull manufacture or by previous testing.
3. Transom thickness must be between 2" and 2 ¼".

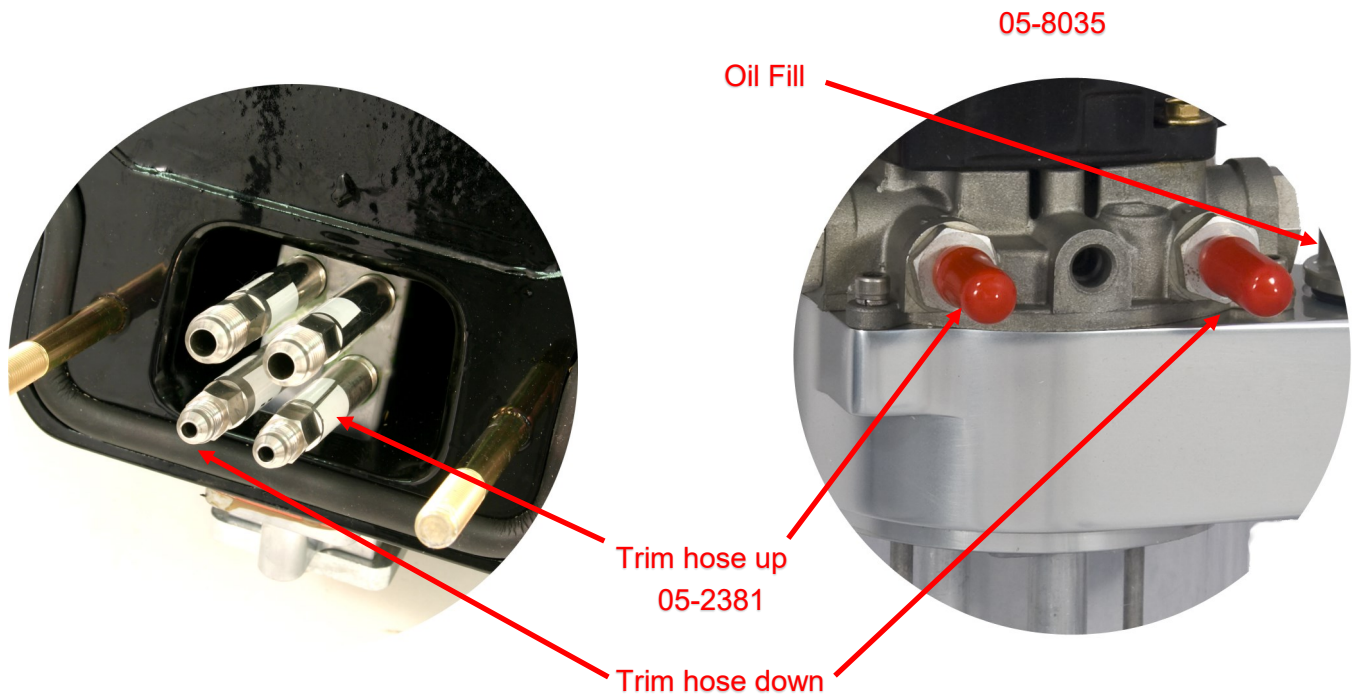
Xtreme Advantage Gimbal Installation

1. Remove gimbal from shipping carton and remove plywood backing plate.
2. Remove all packing materials, retain steering ram restraints. (Do not allow steering rams to damage painted surfaces.)
3. Position gimbal housing onto transom and hold in place.
4. Secure inner and outer transom pieces together with 8-7/16 washers and 8-7/16 nylock nuts provided.
5. Tighten fasteners in small increments in a criss cross pattern to 23 ft lbs.

IMPORTANT: When installing gimbal to IMCO extension box the two upper studs need to be 2 ¾" for EB-12-N and EB-12-3 and 2 ¼" for EB-14-T extension box's.

Trim Pump Hose Hookup

1. Use provided hoses to hookup trim pump as pictured below.
2. Fill oil through oil fill cap as shown.



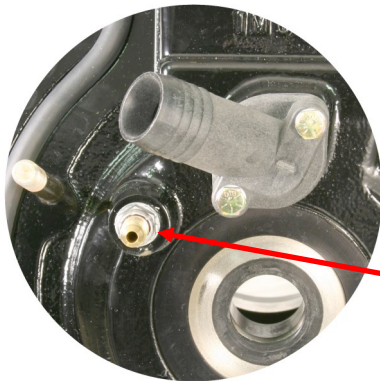
Drive Oil Reservoir

1. Connect the gimbal housing and drive oil reservoir tank together with the hose and fitting provided.

IMPORTANT: Drive oil reservoir must be installed higher than the oil fitting on gimbal. Run hose as straight as possible to avoid a low section in the system.

2. Hose must be routed away from rotating shaft.

CAUTION: Do not over fill drive oil reservoir!



Oil hose connection



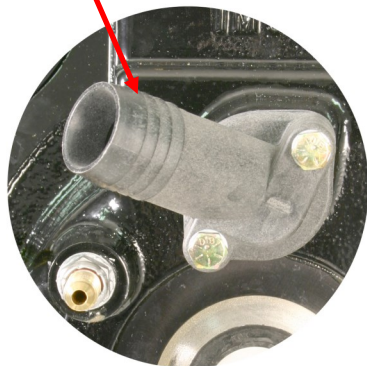
Drive Oil Reservoir

1. Install water supply fitting with bolts and lock washers provided. (Torque bolts to 45 in lbs).
2. Install optional water block off plate with bolts and lock washers provided. (Torque bolts to 45 in lbs).

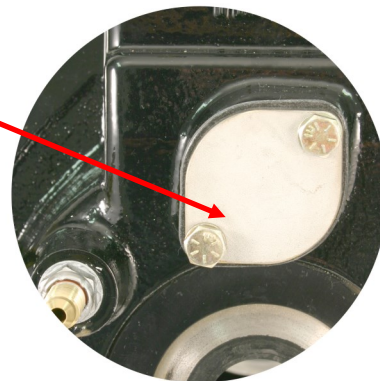
CAUTION: When using optional block off plate provisions for water flow through the drive is mandatory for drive cooling.

- a. Remove or cut water supply hose in gimbal.
- b. Route water to external water dump.

05-2013



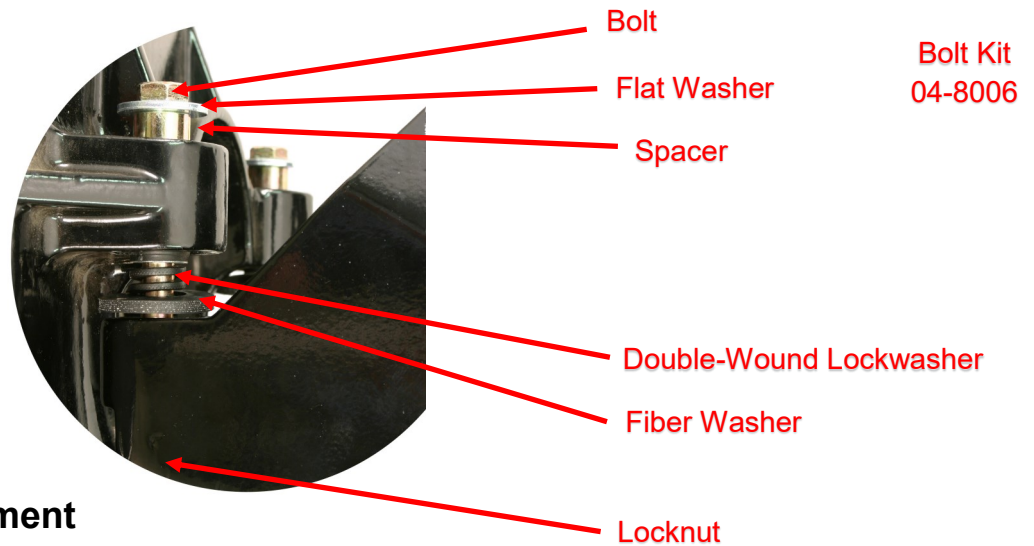
05-2382



Rear Engine Mount

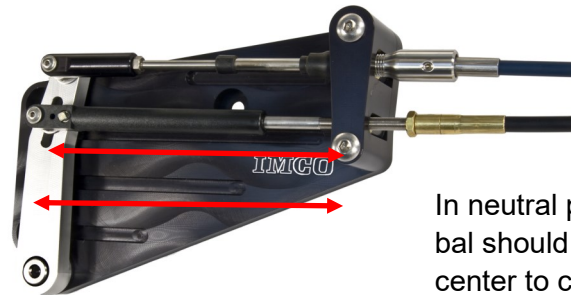
1. Install the rear engine mount attaching hardware on the inner transom plate mounts as shown.

CAUTION: Engine must be aligned to gimbal using the appropriate method for each individual application.



Shift Cable Adjustment

1. With outdrive in neutral position, adjust to 6 1/4" between center of "Cable Adapter End" hole and center of "Cable Pivot"



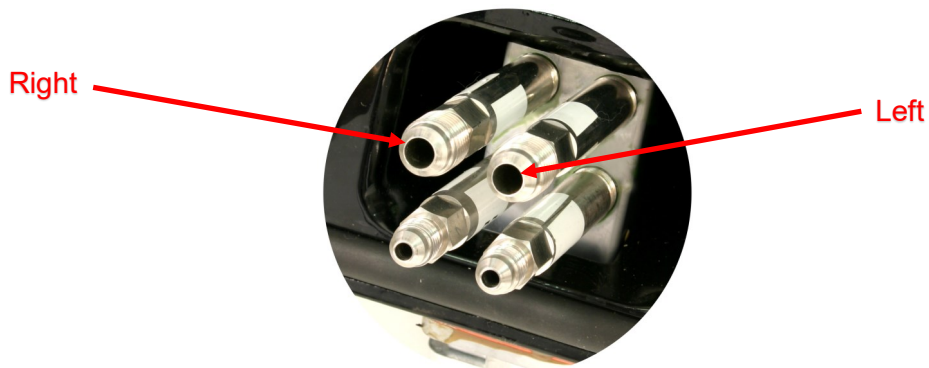
05-8065

In neutral position, cable from gimbal should be 6 1/2" from cable hole center to center of pivot.

Hydraulic Steering Hose Hookup

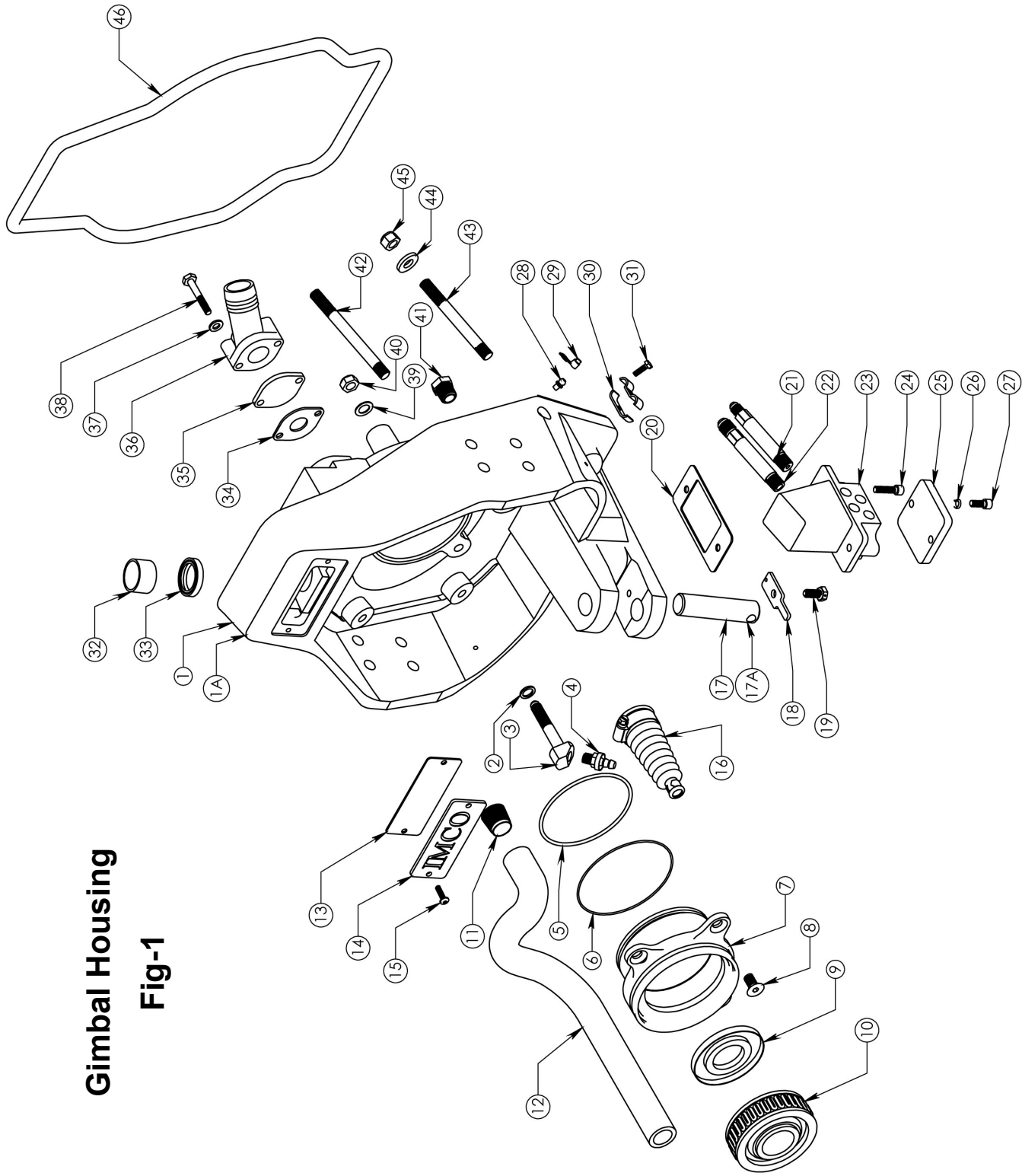
CAUTION: IMCO Xtreme Advantage Gimbals can only be used with full hydraulic steering systems.

1. Attach hoses from helm control as pictured below.



Gimbal Housing

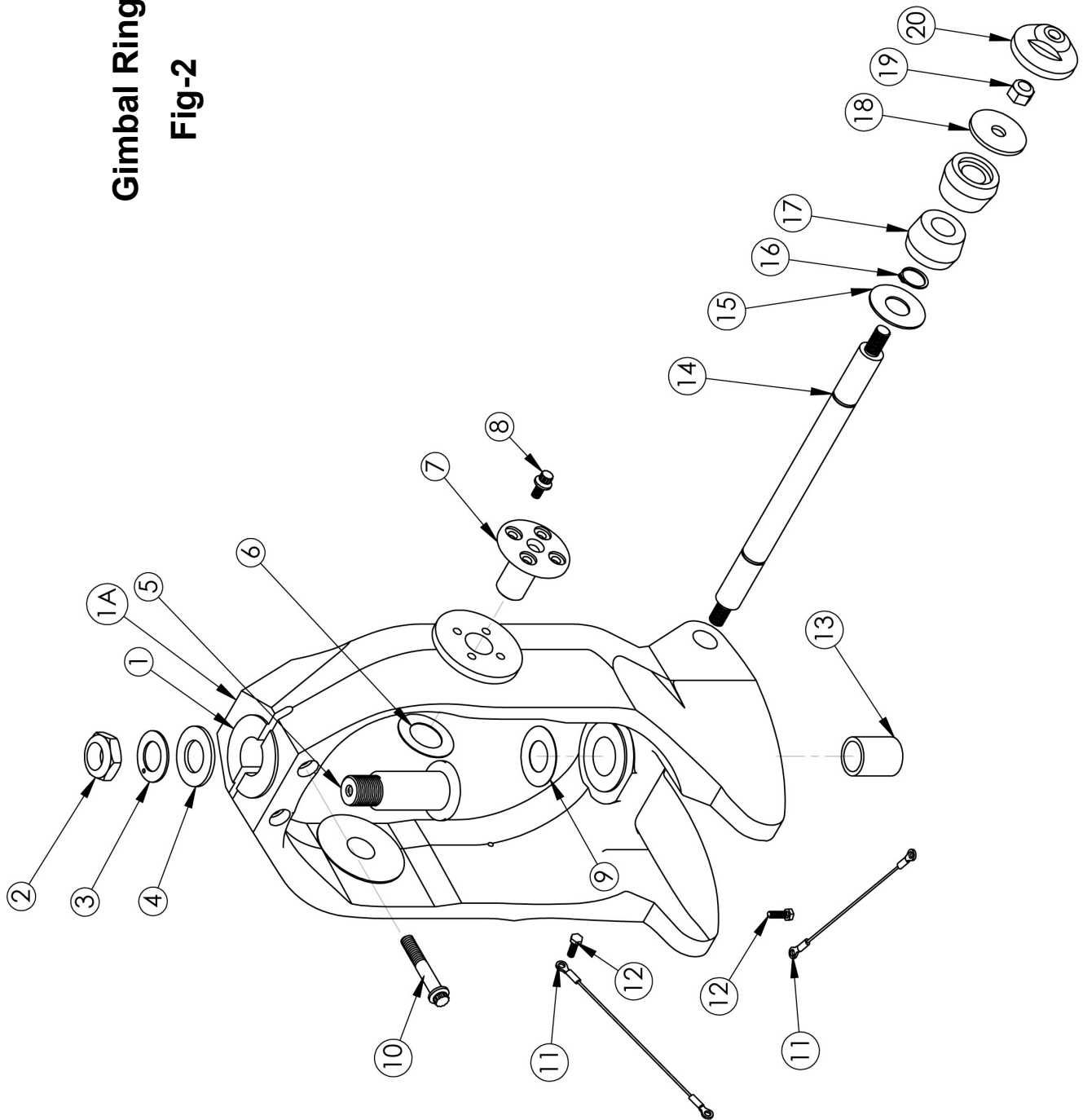
Fig-1



Gimbal Housing Fig-1

| Item | Description | Qty | Part Number |
|------|---|-----|--------------|
| 1 | Gimbal Housing Black | 1 | 05-1306 |
| 1A | Gimbal Housing Silver | 1 | 05-1307 |
| 2 | "O" Ring -111 (Bulkhead Fitting) | 1 | 11-2111 |
| 3 | Bulkhead Fitting (Oil) | 1 | 05-2345 |
| 4 | Hose Fitting (1/8 NPT-1/4" Hose) | 1 | 09-2004 |
| 5 | "O" Ring (Bearing Carrier) -240 | 1 | 11-2240 |
| 6 | "O" Ring (Bearing Carrier) -045 | 1 | 11-2045 |
| 7 | Bearing Carrier | 1 | 05-2308 |
| 8 | 3/8-16 x 3/4" Flat Head Allen S/S | 3 | 08-020806061 |
| 9 | Seal, Oil (Gimbal Bearing Carrier Seal) | 1 | 11-3043 |
| 10 | Gimbal Bearing | 1 | 10-3001 |
| 11 | Insert (Water Hose) | 1 | 05-2004 |
| 12 | Water Hose | 1 | 05-2003 |
| 13 | Cover Plate Gasket | 1 | 11-1013 |
| 14 | Cover Plate | 1 | 05-2376 |
| 15 | 10-24 x 1/2" Button Head Allen S/S | 2 | 08-040403041 |
| 16 | Bellow (Shift Cable) | 1 | 05-2008 |
| 17 | Lower Swivel Pin S/N GA 600 & Up | 1 | 05-3605 |
| 17A | Lower Swivel Pin S/N GA 599 & Down | 1 | 05-3320 |
| | Cotter Key 1/8 x 2 1/2" S/N GA 599 & Down | 1 | 08-150200141 |
| 18 | Clip (Lower Pin) | 1 | 05-2601 |
| 19 | 5/16-18 x 3/4" HH SS W/Hole S/N GA 600 Up | 1 | 08-230705061 |
| 20 | Hydraulic Manifold Gasket | 1 | 11-1012 |
| 21 | -4 Hose Extension | 2 | 05-2317 |
| 22 | -6 Hose Extension | 2 | 05-2316 |
| 23 | Hydraulic Manifold | 1 | 05-2315 |
| 24 | 1/4-20 x 7/8" Allen Bolt Armer Coat Steel | 2 | 08-060604072 |
| 25 | Anode Plate | 1 | 05-2009 |
| 26 | 1/4" Lock Washer SS (For Socket Head Cap Screw) | 2 | 08-170600001 |
| 27 | 1/4-20 x 5/8" Allen Bolt S/S | 2 | 08-060604051 |
| 28 | Zerk Fitting S/S | 1 | 05-2011 |
| 29 | Grease Short Strap Cap Fitting | 1 | 05-2010 |
| 30 | Hose Anchor | 2 | 05-6012 |
| 31 | 10-24 x 5/8" Hex Head S/S | 2 | 08-010403051 |
| 32 | Permaglide Bearing | 1 | 10-7002 |
| 33 | Seal (Upper Swivel Pin) | 1 | 11-3044 |
| 34 | Gasket (Water Connector) | 1 | 11-1045 |
| 35 | Water Connector Block Off Plate -Optional- | 1 | 05-2382 |
| 36 | Water Connector | 1 | 05-2013 |
| 37 | 1/4" Flat Washer AN | 2 | 08-100600001 |
| 38 | | 2 | 08-010604112 |
| 39 | 7/16" Thin Washer AN S/S | 1 | 08-160900001 |
| 40 | 7/16-20 Lock Nut Thin S/S | 1 | 08-090904001 |
| 41 | Cable Glide Teflon Bushing 3/8" NPT x 1/4" NPT | 1 | 09-2012 |
| 42 | Stud, 7/16" x 4 3/4" | 2 | 08-130904231 |
| 43 | Stud, 7/16" x 4 1/4" | 6 | 08-130904211 |
| 44 | 7/16" Washer AN S/S | 8 | 08-100900001 |
| 45 | 7/16-20 Nylock Nut Tin Zink | 8 | 08-080904002 |
| 46 | 1/2" Sealing Cord | 1 | 11-4026 |

Gimbal Ring
Fig-2

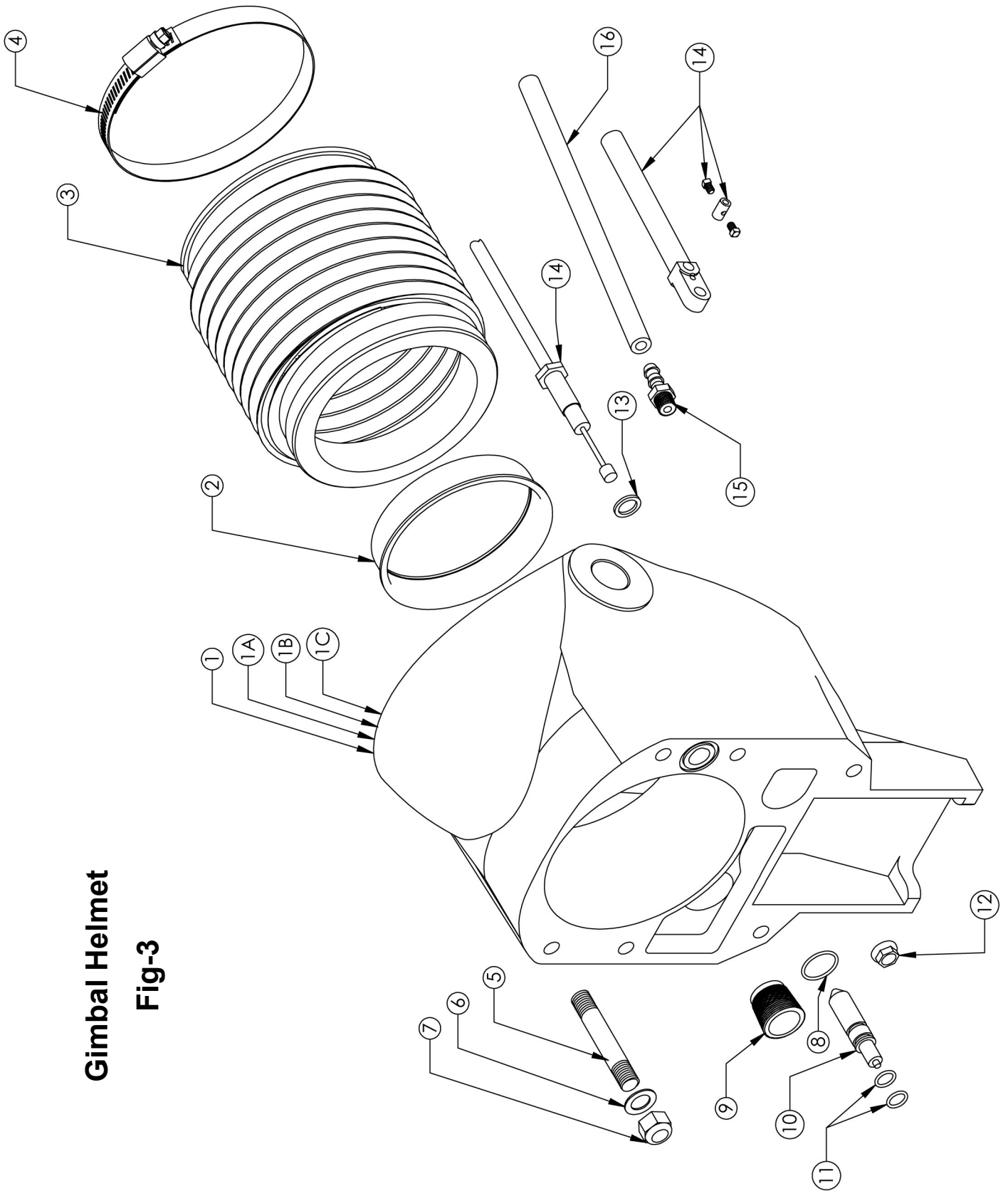


Gimbal Ring Fig-2

| Item | Description | Qty | Part Number |
|------|-----------------------------------|-----|--------------|
| 1 | Gimbal Ring Black | 1 | 05-1297 |
| 1A | Gimbal Ring Silver | 1 | 05-1298 |
| 2 | 7/8-14 Hex Thin Nut Grade 8 Steel | 1 | 08-091507002 |
| 3 | Permaglide Bearing | 1 | 10-4003 |
| 4 | Washer S/S | 1 | 08-121500001 |
| 5 | Upper Swivel Pin | 1 | 05-3343 |
| 6 | Fiber Washer | 2 | 05-2016 |
| 7 | Gimbal Hinge Pin | 2 | 05-2307 |
| 8 | 1/4-20 x 1/2" 12pt. Bolt | 8 | 08-070604041 |
| 9 | Washer, Shim (Lower Pin) | 1 | 05-2036 |
| 10 | 3/8-16 x 2 1/4" 12pt. Bolt | 2 | 08-070806131 |
| 11 | Bonding Wire 6" | 1 | 05-2017 |
| 12 | 10-24 x 3/8" Hex Head | 1 | 08-010403031 |
| 13 | Bushing, (Lower Swivel Pin) | 1 | 10-7004 |
| 14 | Front Trim Pin (Trim Cylinder) | 1 | 05-3611 |
| 15 | S/S Washer (Big Hole-Trim Pin) | 2 | 05-6002 |
| 16 | Snap Ring | 2 | 08-211300001 |
| 17 | Bushing (Trim Pin) | 4 | 05-2020 |
| 18 | S/S Washer (Small Hole-Trim Pin) | 2 | 05-6004 |
| 19 | 7/16-20 Nylock Nut S/S | 2 | 08-080904001 |
| 20 | Cap (Plastic Anchor Pin Cap) | 2 | 05-2021 |

Gimbal Helmet

Fig-3

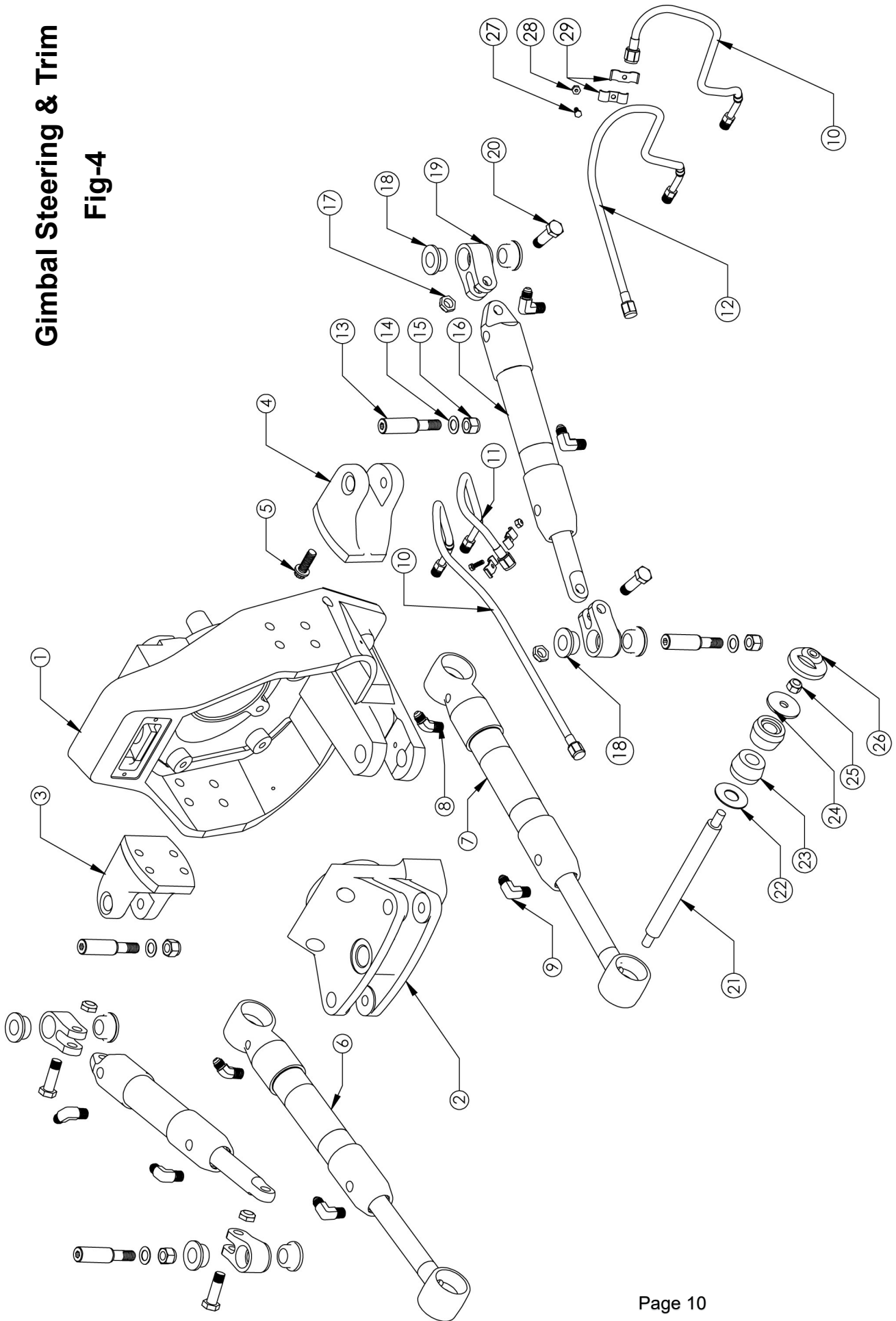


Gimbal Helmet Fig-3

| Item | Description | Qty | Part Number |
|------|----------------------------------|-----|--------------|
| 1 | SC Gimbal Helmet | 1 | 05-1309 |
| 1A | SCX Gimbal Helmet | | 05-1552 |
| 2 | Bellows Sleeve | 1 | 05-2022 |
| 3 | Bellows Kit (U-Joint) | 1 | 05-2023 |
| 4 | Clamp | 1 | 05-2007 |
| 5 | Stud (7/16" x 2 3/4" SS) | 6 | 08-130904151 |
| 6 | 7/16" SS AN Washer | 6 | 08-100900001 |
| 7 | 7/16-20 Nylock Nut SS | 6 | 08-080904001 |
| 8 | "O" Ring (Oil Seal) -019 | 1 | 11-2019 |
| 9 | Insert (Water Hose) | 1 | 05-2004 |
| 10 | Valve Assembly | 1 | 05-2024 |
| 11 | "O" Ring (Valve Assembly) -012 | 2 | 11-2012 |
| 12 | Flange Nut 3/8-24 Self Locking | 1 | 08-180803002 |
| 13 | Gasket | 1 | 11-1014 |
| 14 | Shift Cable Assembly | Kit | 05-8040 |
| 15 | 1/8" Pipe - 1/4" Hose (Oil Line) | 1 | 09-2004 |
| 16 | 1/4" Push Lock Hose 8 3/4" (Oil) | 1 | 09-2003 |

Gimbal Steering & Trim

Fig-4



Gimbal Steering & Trim

Fig-4

| Item | Description | Qty | Part Number |
|------|-------------------------------------|-----|--------------|
| 1 | Gimbal Housing Black | 1 | 05-1306 |
| 1A | Gimbal Housing Silver | 1 | 05-1307 |
| 2 | See website for steering caps | 1 | n/a |
| 3 | Steering Bracket (Port) Black | 1 | 05-1312 |
| 3A | Steering Bracket (Port) Silver | 1 | 05-1314 |
| 4 | Steering Bracket (Starboard) Black | 1 | 05-1313 |
| 4A | Steering Bracket (Starboard) Silver | 1 | 05-1315 |
| 5 | 7/16-14 x 1 1/4" 12 pt. Bolt | 8 | 08-070907091 |
| 6 | Trim Ram (Port) | 1 | 05-6028 |
| 7 | Trim Ram (Starboard) | 1 | 05-6029 |
| 8 | 45° Jic -5 to 1/4" pipe S/S 316 | 2 | 09-2009 |
| 9 | 90° Jic -5 to 1/4" pipe S/S 316 | 6 | 09-2010 |
| 10 | -5 Hose Assembly 17 1/2" | 4 | 05-2331 |
| 11 | -5 Hose Assembly 10 1/4" | 2 | 05-2332 |
| 12 | -5 Hose Assembly 25 1/2" | 2 | 05-2330 |
| 13 | 3/4" x 2" Clevis Pin | 4 | 05-6434 |
| 14 | 1/2" SS AN Washer | 4 | 08-101000001 |
| 15 | 1/2-13 SS Nylock Nut | 4 | 08-081008001 |
| 16 | Steering Ram | 2 | 05-6030 |
| 17 | 1/2" SS Thin Nylock Nut | 4 | 08-091004001 |
| 18 | Urethane Bushing | 8 | 05-2240 |
| 19 | Clevis Joint | 4 | 05-1034 |
| 20 | Clevis Bolt | 4 | 05-6035 |
| 21 | Rear Anchor Pin | 1 | 05-3612 |
| 22 | S/S Washer (Big Hole-Trim Pin) | 2 | 05-6002 |
| 23 | Bushing (Trim Pin) | 4 | 05-2020 |
| 24 | S/S Washer (Small Hole-Trim Pin) | 2 | 05-6004 |
| 25 | 7/16-20 Lock Nut SS | 2 | 08-080904001 |
| 26 | Cap (Plastic Anchor Pin Cap) | 2 | 05-2021 |
| 27 | 10-24 x 5/8" Hex Head SS | 4 | 08-010403051 |
| 28 | 10-24 Lock Nut SS | 4 | 08-080403001 |
| 29 | Hose Anchor | 4 | 05-6012 |