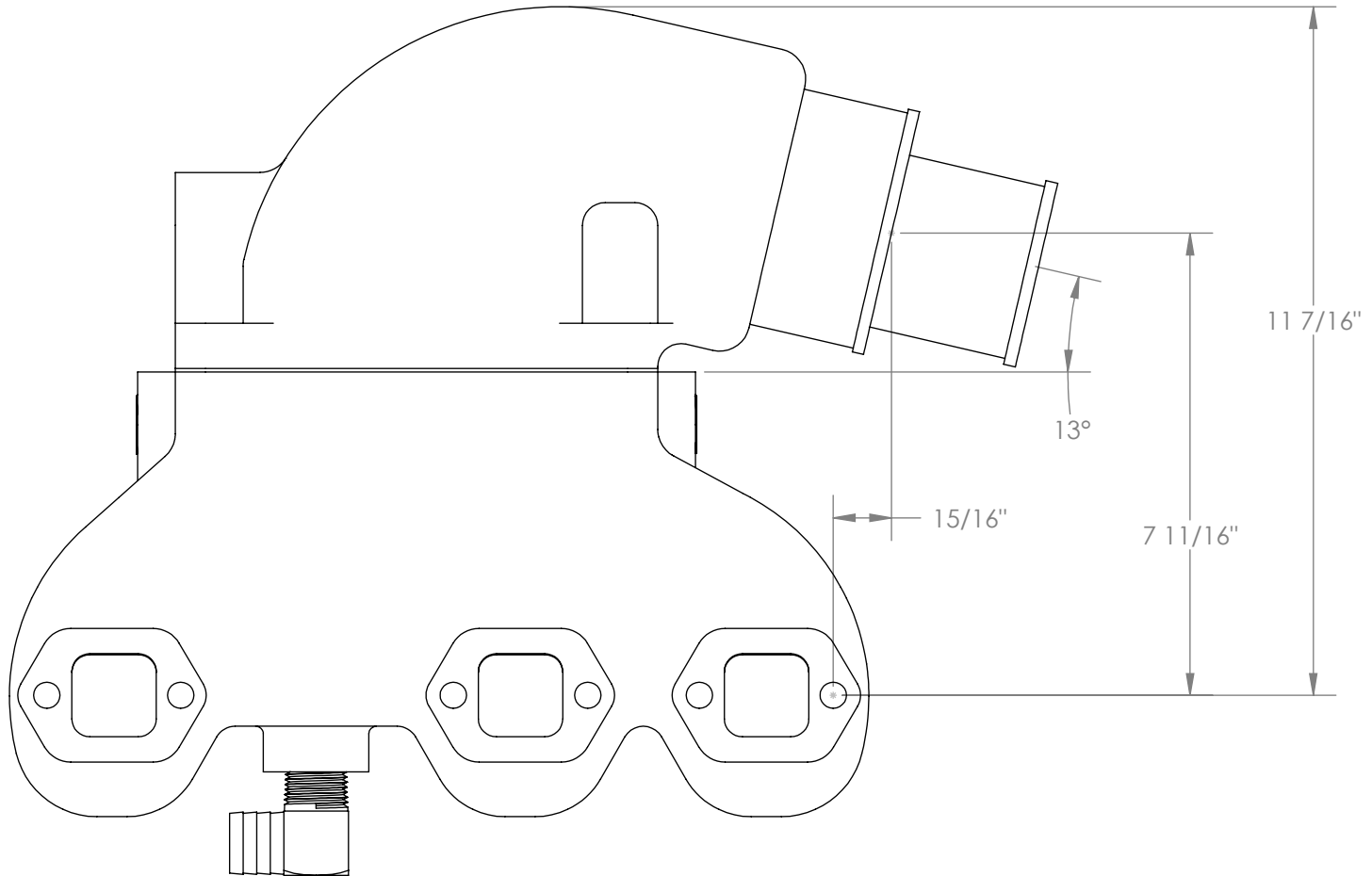


THE INFORMATION CONTAINED IN THIS DRAWING IS THE SOLE PROPERTY OF IMCO. ANY RE-PRODUCTION, IN PART OR WHOLE, WITHOUT THE WRITTEN PERMISSION OF IMCO IS PROHIBITED.



UNLESS OTHERWISE SPECIFIED
DIMENSIONS ARE IN INCHES.
TOLERANCES ARE:

DECIMALS ANGLES

CAD GENERATED DRAWING,
DO NOT MANUALLY UPDATE

APPROVALS	DATE
DRAWN MH	04-03-03
CHECKED	
MFG ENG	
QUAL ENG	

IMCO

THUMPER - V6
Star. Side

MATERIAL

FINISH

DWG. NO.

REV.

A

CAD FILE:

SHEET 1 OF 1