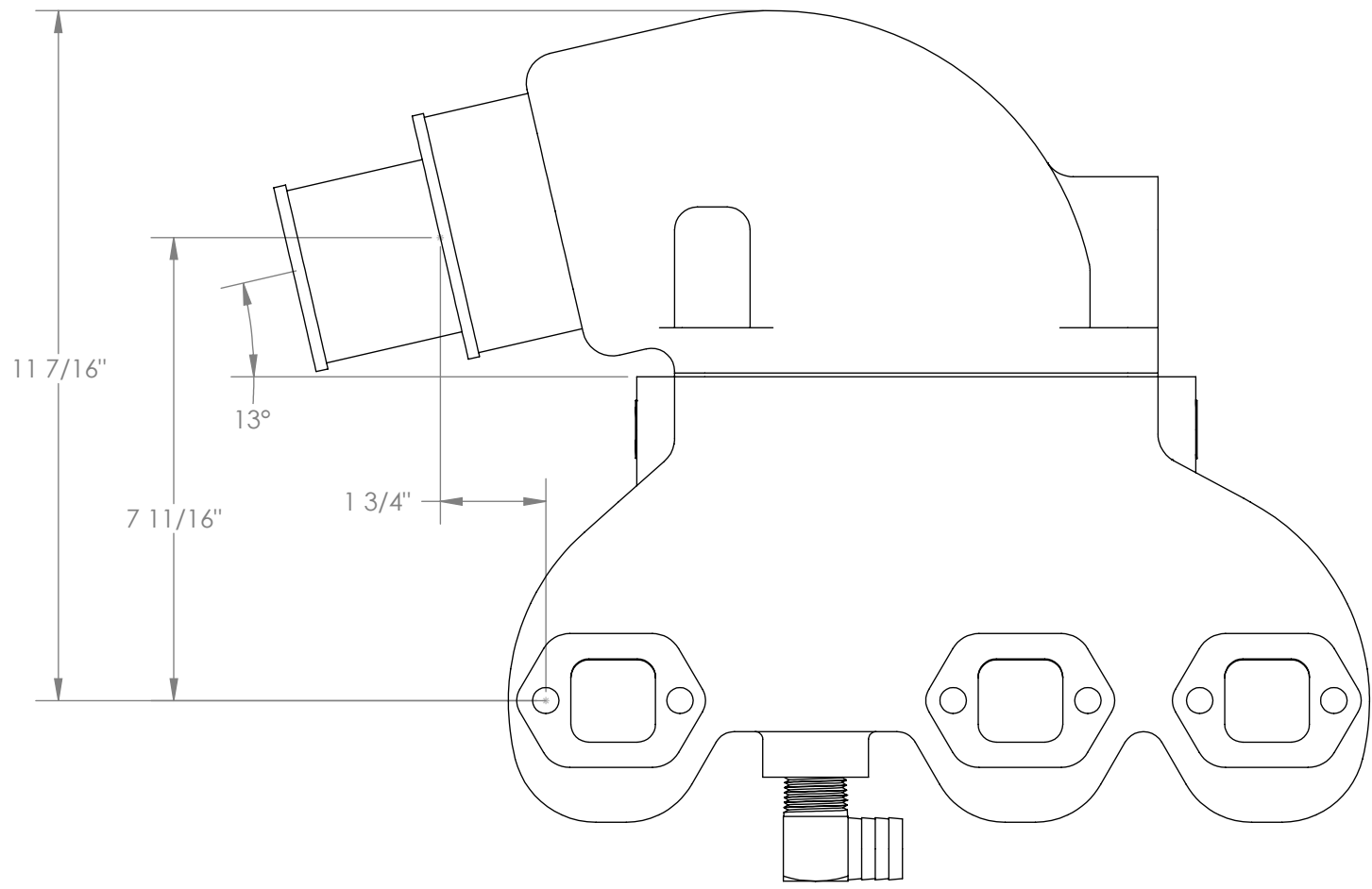


THE INFORMATION CONTAINED IN THIS DRAWING IS THE SOLE PROPERTY OF IMCO. ANY RE-PRODUCTION, IN PART OR WHOLE, WITHOUT THE WRITTEN PERMISSION OF IMCO IS PROHIBITED.



UNLESS OTHERWISE SPECIFIED DIMENSIONS ARE IN INCHES. TOLERANCES ARE: DECIMALS      ANGLES	CAD GENERATED DRAWING, DO NOT MANUALLY UPDATE		<b>IMCO</b>
	APPROVALS	DATE	
MATERIAL	DRAWN MH	04-03-03	THUMPER - V6 Port Side
FINISH	CHECKED		
	MFG ENG		DWG. NO.
	QUAL ENG		REV. <b>A</b>
			CAD FILE:
			SHEET 1 OF 1