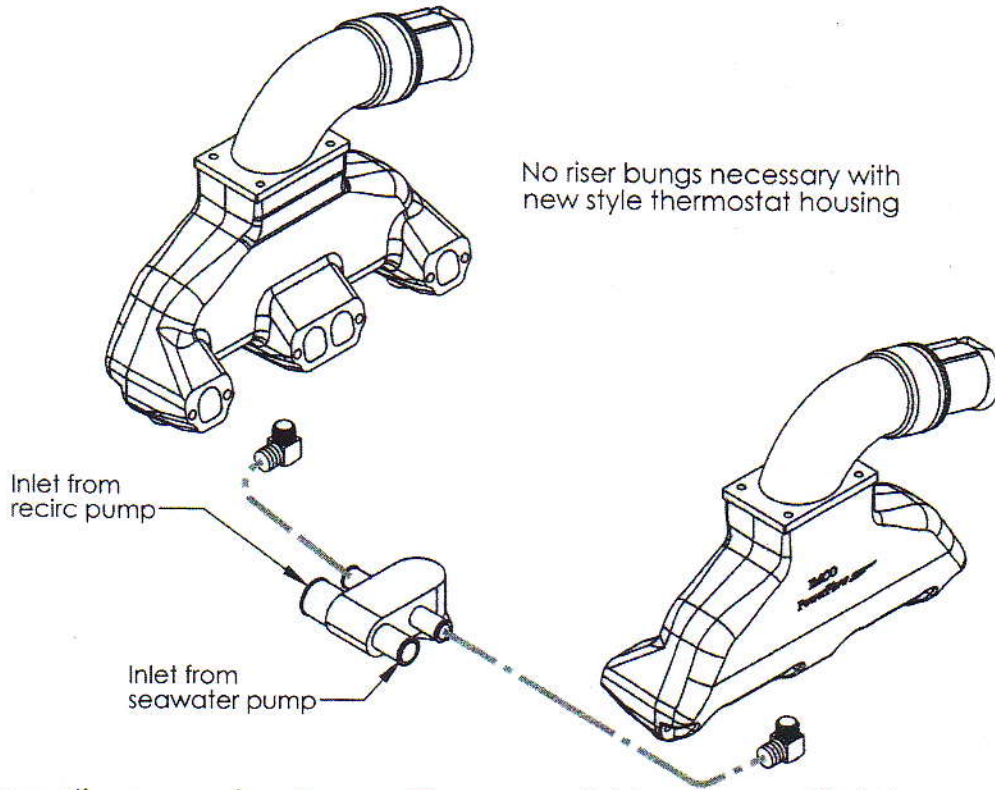


## Water flow diagram for PowerFlow small block manifold (new style thermostat housing)



## Water flow diagram for PowerFlow small block manifolds (for old style thermostat housing)

