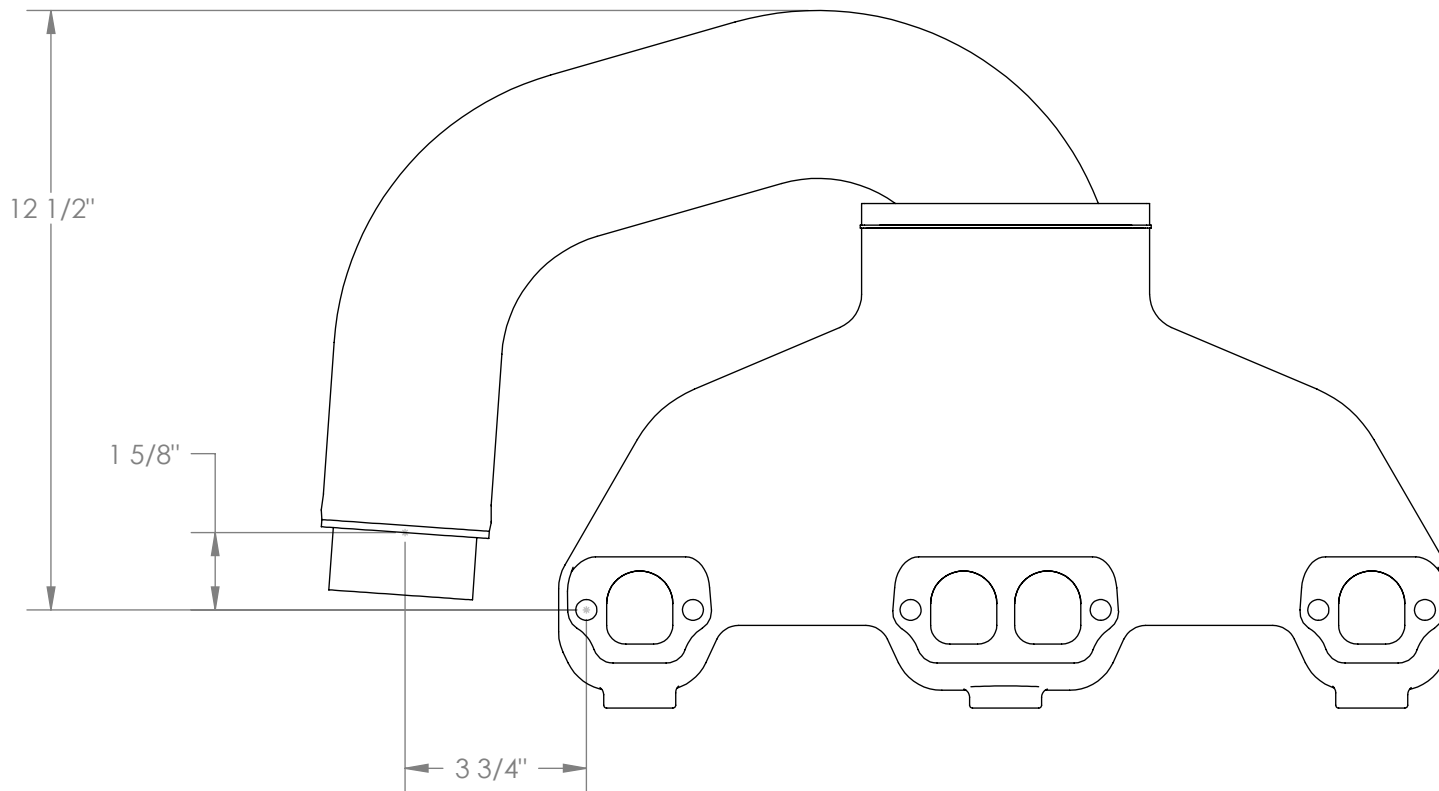


THE INFORMATION CONTAINED IN THIS DRAWING IS THE SOLE PROPERTY OF IMCO. ANY RE-PRODUCTION, IN PART OR WHOLE, WITHOUT THE WRITTEN PERMISSION OF IMCO IS PROHIBITED.



UNLESS OTHERWISE SPECIFIED DIMENSIONS ARE IN INCHES. TOLERANCES ARE:		CAD GENERATED DRAWING, DO NOT MANUALLY UPDATE		IMCO	
DECIMALS	ANGLES	APPROVALS	DATE		
		DRAWN MH	04-03-03	POWER FLOW - SM. BLK S - Type Riser Port Side	
MATERIAL		CHECKED			
		MFG ENG			
FINISH		QUAL ENG		DWG. NO.	REV. A
				CAD FILE:	SHEET 1 OF 1