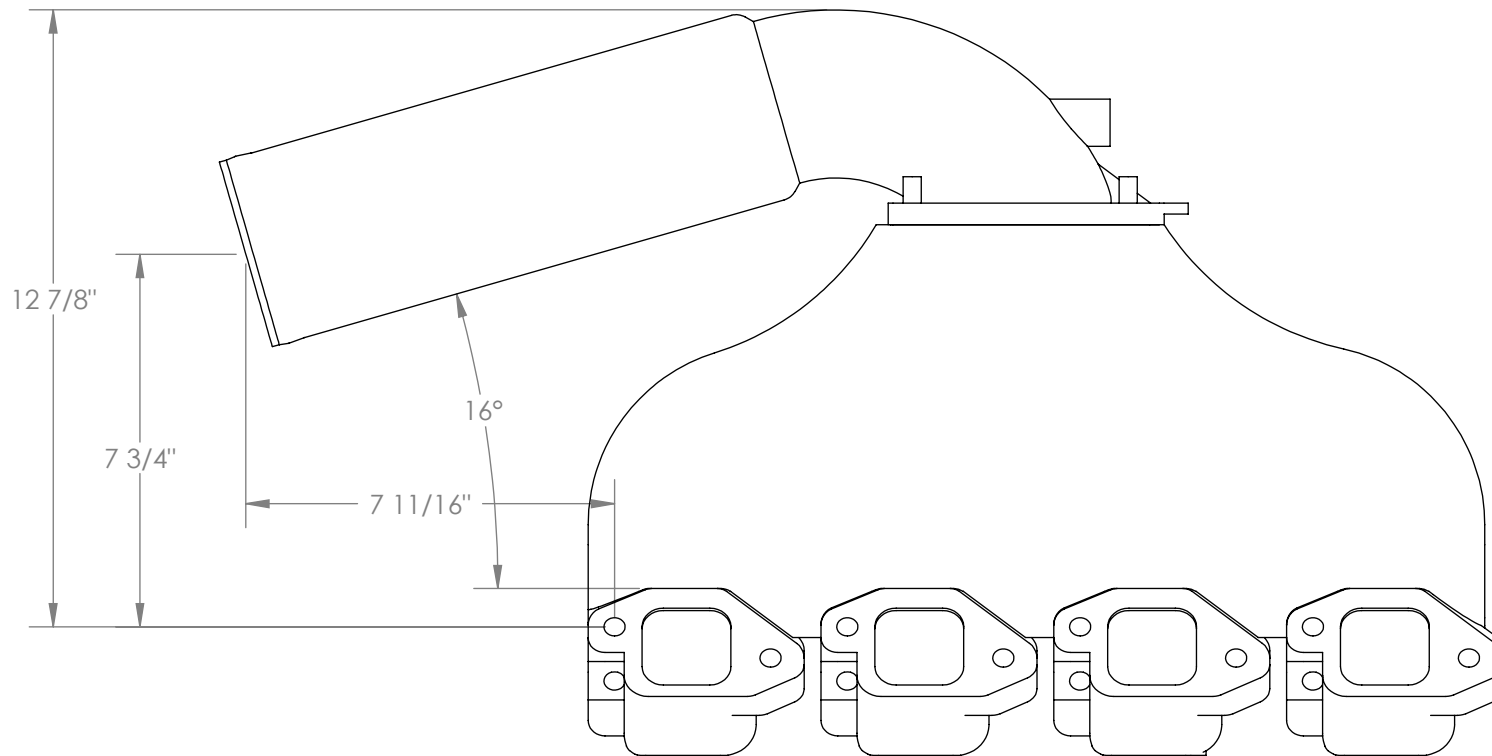


THE INFORMATION CONTAINED IN THIS DRAWING IS THE SOLE PROPERTY OF IMCO. ANY RE-PRODUCTION, IN PART OR WHOLE, WITHOUT THE WRITTEN PERMISSION OF IMCO IS PROHIBITED.



UNLESS OTHERWISE SPECIFIED DIMENSIONS ARE IN INCHES. TOLERANCES ARE: DECIMALS ANGLES	CAD GENERATED DRAWING, DO NOT MANUALLY UPDATE		IMCO
	APPROVALS	DATE	
MATERIAL	DRAWN RT	10/11/05	POWERFLOW - Big Block A - Type Riser Port Side
FINISH	CHECKED		DWG. NO.
	MFG ENG		REV. A
	QUAL ENG		CAD FILE: PF-82AK - Port SHEET 1 OF 1